

KIDS

SIGNALS ACTIVITIES

AUSTRALIAN
NATIONAL
MARITIME
MUSEUM

Pelican

Ship's Dog

Steamboat

Tug Boat

Fishing Boat

Racing Yacht

Motor Cruiser

Canoe

Ahoy sailor! It's time for a celebration. Steering, sailing and steaming into the harbour these holidays are all kinds of beautiful boats, here for a festival.

Colour in some of the different types of boats you might see...

AUTUMN 2016

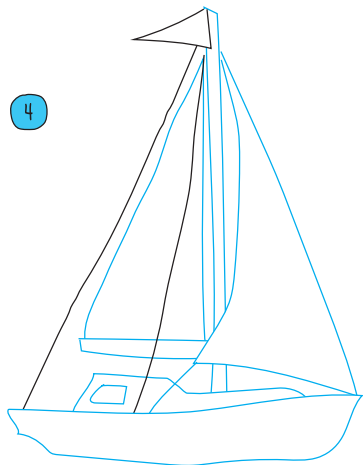
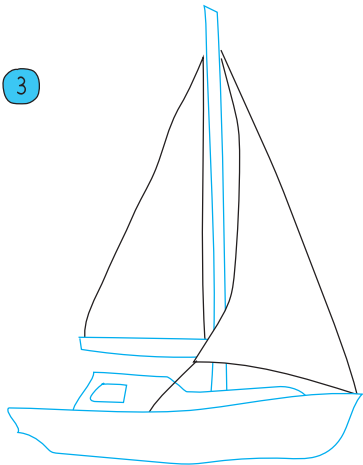
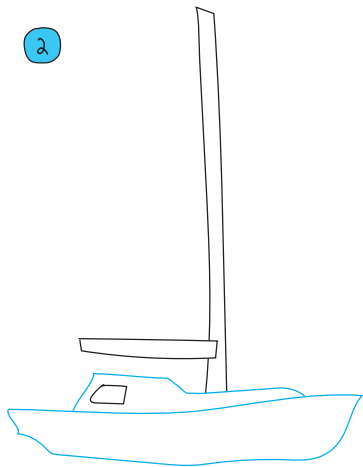
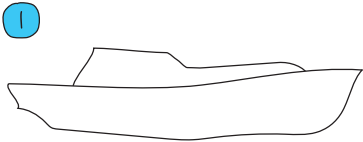
MARCH, APRIL, MAY

DID YOU KNOW?

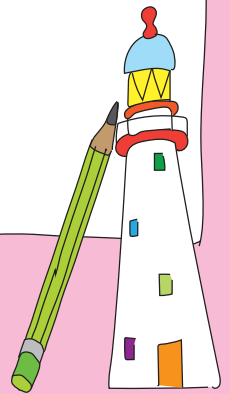
Pet cats and dogs have been common on sailing boats for thousands of years. Dogs are often kept to help everyone stay happy on long boring sea voyages, and cats can help out with catching pesky mice and rats on board.

HOW TO DRAW A YACHT

Follow these simple steps to draw a yacht



In the 17th century, yachts were used by the Dutch navy to pursue pirates. They are now mostly a recreational boat - that means they are used for sailing for fun.



FIND-A-WORD

Find the words below. They could be backwards, forwards, diagonal or downwards.

- | | | | |
|-----------|-----------|----------|----------|
| REGATTA | PASSENGER | STEAM | DIESEL |
| WIND | CAPTAIN | SKIPPER | CANOE |
| YACHT | DINGHY | SLOOP | SCHOONER |
| BOATSWAIN | CREW | SHIPMATE | DOCKER |
| HELMSMAN | MAHOGANY | MAPLE | |

S R E N O O H C S Q U H A M
 E W C Y N A G O H A M L U A
 H R I R I A Y D I N G H Y N
 R E G N E S S A P O E T H M
 S G L X D W L Y M A P L E C
 K A L M K W O S A O O N P A
 I T E H S B O A T S W A I N
 P T E M J M P X E E X M U O
 P A X T H C A Y V S A X O E
 E C A P T A I N L Y S M U D
 R E K C O D I E S E L E E S

A sailboat can have lots of different names depending on how it is shaped and what kind of sails it has. Schooner, gaffer, cutter, sloop, yawl and catboat are all names for types of sailboats.

SYDNEY TO HOBART REGATTA MAZE



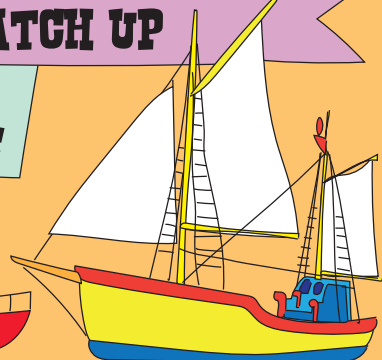
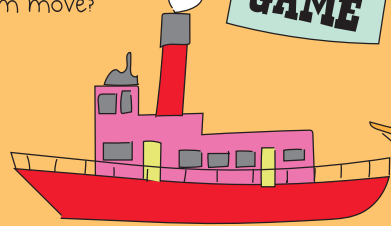
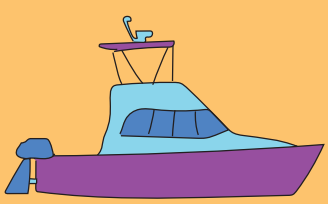
MARVELLOUS MOVERS

Different boats are propelled by different sources of energy. Can you match the boats to what makes them move?

MATCH UP GAME

DID YOU KNOW?

Rowing races, like you see at the Olympics, are a sport that was practised by Ancient Egyptians.



WIND POWER

DIESEL ENGINE

HUMAN POWER

STEAMPOWER

INVENT YOUR OWN FESTIVAL

Imagine you are creating your own festival party by the harbour

FESTIVAL NAME

Draw or write a story about it here.

What would your festival look like?
What would it celebrate?

What kind of food would you serve?

What kind of music or entertainment would you have?

Who would you invite to your festival?

Would your festival have a logo or mascot?



SHARE YOUR CREATIONS WITH US

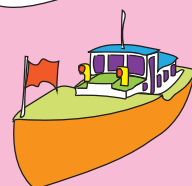
web@anmm.gov.au

  @ANMMuseum #anmmkids



MORE ACTIVITIES TO CREATE AT HOME

Download our printable templates for more creative activities on the website at www.anmm.gov.au/kidscraft



MORE THINGS TO DO AT THE MUSEUM

Come to the museum to enjoy our **free festival** on 15-17 April 2016 or our autumn programs and exhibitions. www.anmm.gov.au/kids